


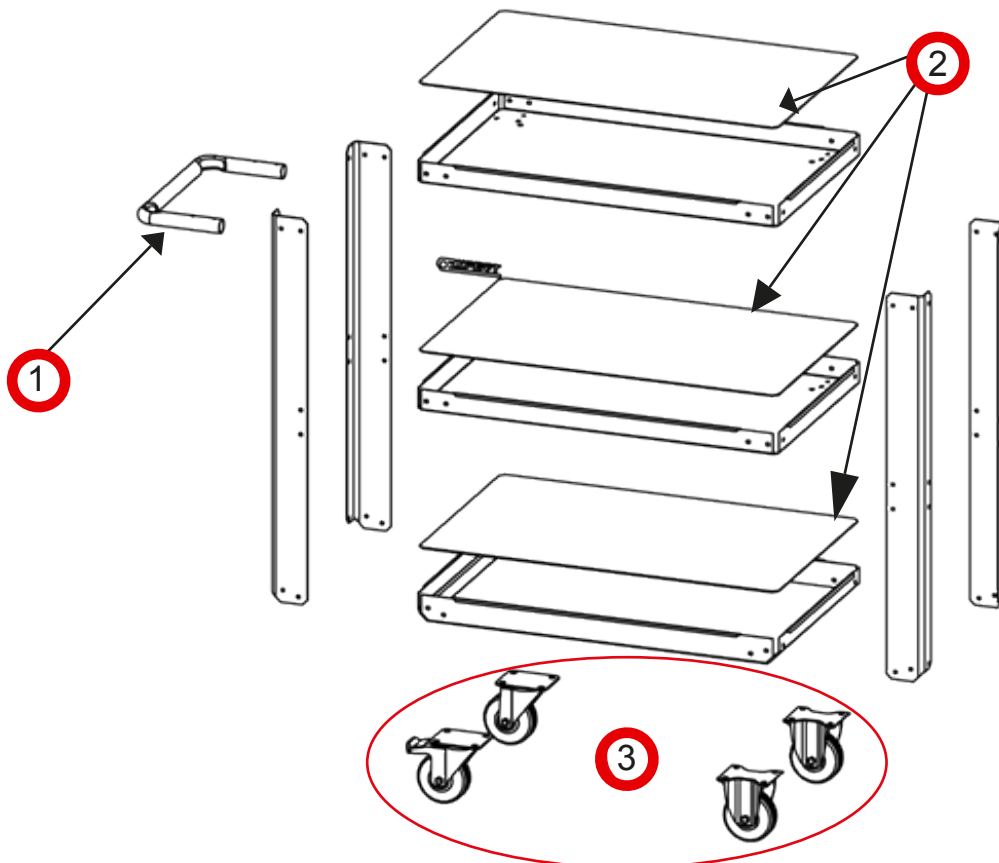
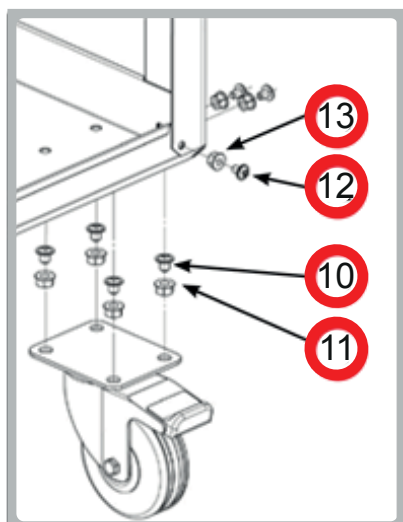
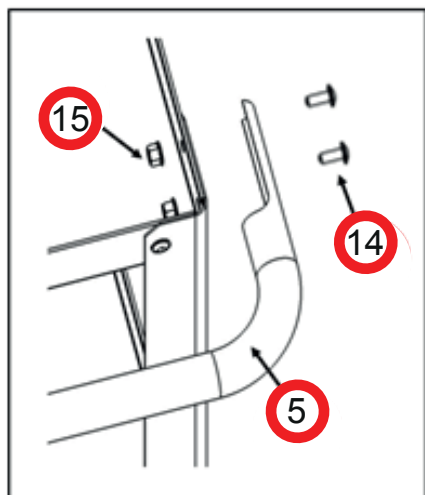
	Q
1	UC3S-MH	
2	UC3S-PSM	
3	UC3S-J4R100	





N°	DESCRIPTION		Q.
1	Etagère	Shelf	2
2	Soute	Bottom	1
3	Montant gauche	left upright	2
4	Montant droit	right upright	2
5	Poignée	handle	1
6	Plaque PS	PS plate	3
7	Roue fixe	Fixed wheel	2
8	Roue pivotante	Swivel wheel	1

N°	DESCRIPTION		Q.
9	Roue pivotante à frein	Swivel wheel with brake	1
10	Vis M8x12	Screw M8x12	16
11	Ecrou M8	Nut M8	16
12	Vis M6x10	Screw M6x10	28
13	Ecrou M6	Nut M6	32
14	Vis M6x16	Screw M6x16	4
15	Ecrou M6	Nut M6	4

FACOM S.A.S - 6/8 rue Gustave Eiffel - 91420 MORANGIS - France  
 Tel: 01 64 54 45 45 Fax: 01 69 09 60 93 www.facom.com

NU-ROLL.UC3S\_0217